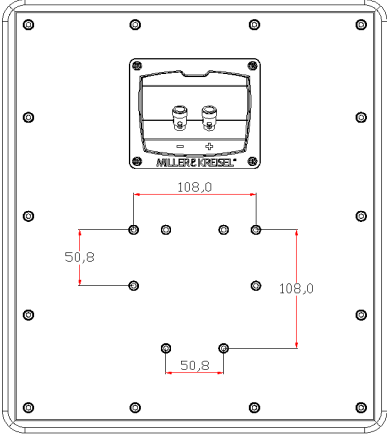
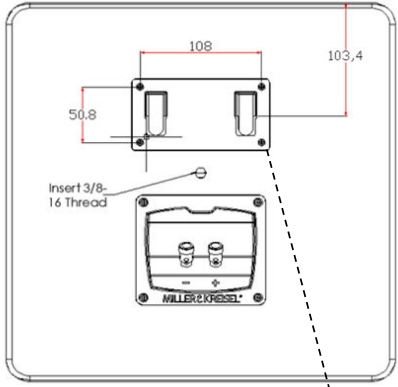
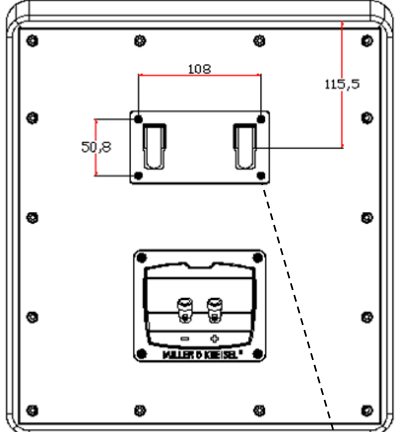



MK Speakers back side dimensions for K&M brackets V2 - Mar 2021


Model S300	Model S300T	Model MP300
 <p align="center">Insert 1/4 - 20 Thread</p>	 <p align="center">Insert 1/4 - 20 Thread</p>	 <p align="center">Insert 1/4 - 20 Thread</p>
<p>H395 x W340 x D330 mm Weight 18 Kg</p> <p>S300 can use K&M Wall Bracket 24481 with Adaptor Plates AP4 or AP3 for either Vertical or Horizontal Wall mount. For Floor placement use the design monitor stand 26785</p>	<p>H345 x W225 x D180 mm (Front) H345 x W345 x D180 mm (Back) Weight 12 Kg</p> <p>S300T applied mounting bracket fit K&M hole configuration in Adaptor plates AP2, AP3, AP4 and base plate for 26785 Design Monitor floor stand.</p>	<p>H395 x W340 x D160 mm (Top) H395 x W340 x D120 mm (Bottom) Weight 12 Kg</p> <p>MP300 applied mounting bracket fit K&M hole configurations in Adaptor plates AP2, AP3, AP4 and base plate for 26785 Design Monitor floor stand.</p>




KÖNIG & MEYER
Stands For Music

www.k-m.de/en


24481
Speaker wall mount
25 Kg



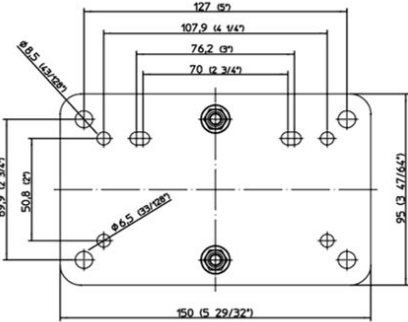
24471
Speaker wall mount
15 Kg



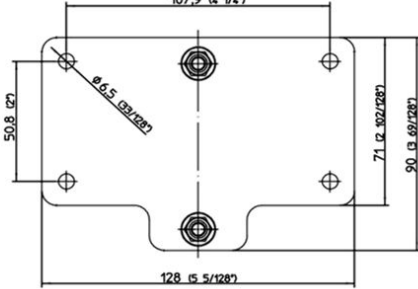
26785
Design monitor stand



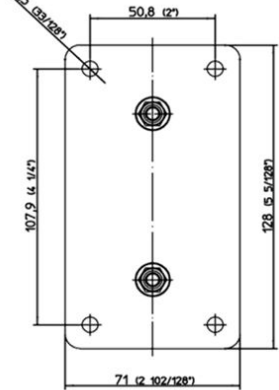
24354 Adapter panel 2



24357 Adapter panel 4



24356 Adapter panel 3



MILLER & KREISEL®

M&K SOUND®

www.mksound.com

M&K Sound, the M&K Sound logo, Miller & Kreisel, the Miller & Kreisel logo and Tripole are trademarks of M&K Sound Aps. All trademarks are registered in some jurisdictions. All rights reserved.

The Choice of Professionals®