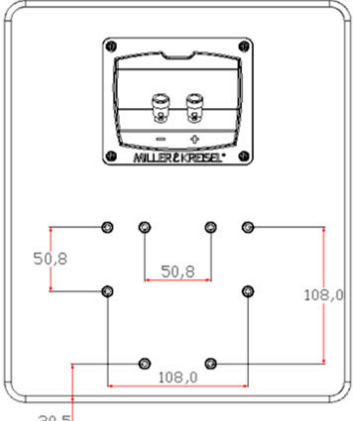
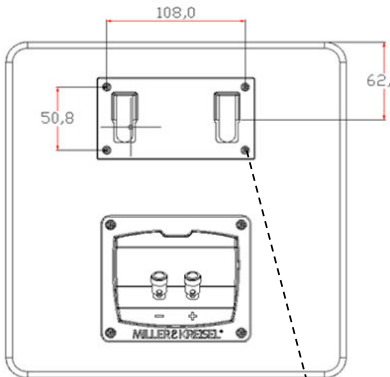
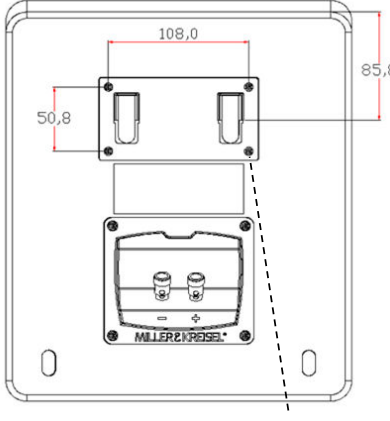



MK Speakers back side dimensions for K&M brackets V2 - Mar 2021

Model S150	Model S150T	Model MP150
 <p>Insert 1/4 - 20 Thread</p>	 <p>Insert 1/4 - 20 Thread</p>	 <p>Insert 1/4 - 20 Thread</p>
<p>H318 x W266 x D298 mm Weight 11 Kg</p> <p>S150 can use K&M Wall Bracket 24471 with Adaptor Plates AP4 or AP3 for either Vertical or Horizontal Wall mount. For Floor placement use the design monitor stand 26785</p>	<p>H270 x W157 x D140 mm (Front) H345 x W264 x D140 mm (Back) Weight 4.6 Kg</p> <p>S150T applied mounting bracket fit K&M hole configuration in Adaptor plates AP2, AP3, AP4 and base plate for 26785 Design Monitor floor stand.</p>	<p>H316 x W265 x D141 mm (Top) H308 x W265 x D108 mm (Bottom) Weight 7.9 Kg</p> <p>MP150 applied mounting bracket fit K&M hole configuration in Adaptor plates AP2, AP3, AP4 and base plate for 26785 Design Monitor floor stand.</p>




K&M KÖNIG & MEYER www.k-m.de/en
Stands For Music

24481
Speaker wall mount


24471
Speaker wall mount


26785
Design monitor stand

25 Kg

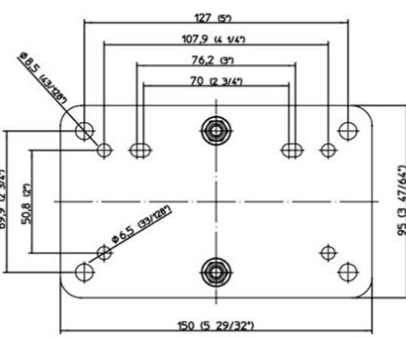


15 Kg

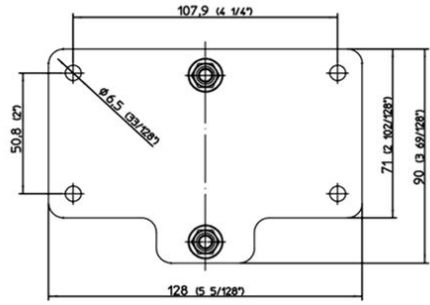




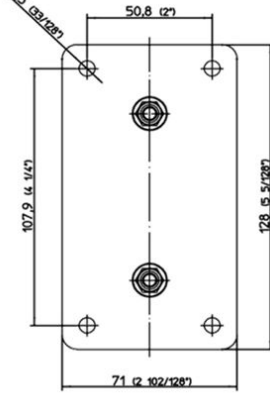
24354 Adapter panel 2



24357 Adapter panel 4



24356 Adapter panel 3



MILLER & KREISEL®

M&K SOUND®

www.mksound.com

M&K Sound, the M&K Sound logo, Miller & Kreisel, the Miller & Kreisel logo and Tripole are trademarks of M&K Sound Aps. All trademarks are registered in some jurisdictions. All rights reserved.

The Choice of Professionals®